

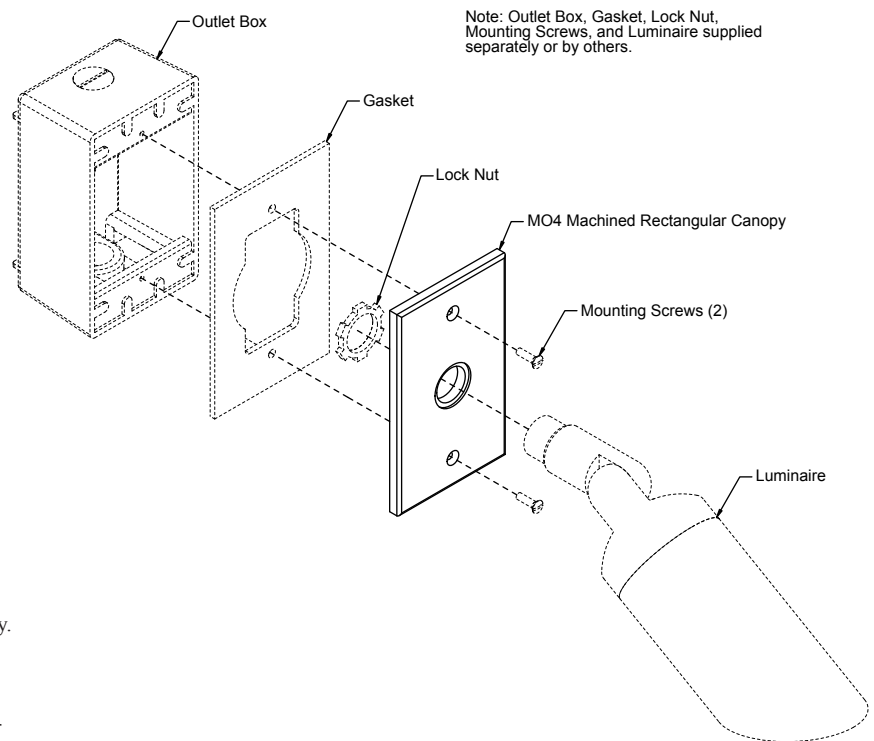
## Installation Instructions

### INSTRUCTIONS PERTAINING TO A RISK OF FIRE, OR INJURY TO PERSONS.

#### IMPORTANT SAFETY INSTRUCTIONS. SAVE THESE INSTRUCTIONS.

(Failure to follow the warnings and instructions on this sheet could result in fire, injury, failure of product, and/or voiding of warranty.)

1. Do not touch luminaire while lamp is on. Turn off/unplug and allow to cool before replacing lamp.
2. Lamp gets HOT quickly! Contact only switch/plug when turning on.
3. Do not touch hot lens, body, cap or knuckle.
4. Keep lamp away from materials that may burn.
5. Do not touch lamp at any time. Use a soft cloth. Oil from your skin may damage lamp.
6. Do not operate the luminaire with damaged or missing parts.
7. Do not disassemble luminaire beyond cap removal to facilitate lamp and/or accessory installation or replacement.
8. Remove any debris accumulated in the cap periodically.
9. Do not install luminaire within 10 feet of a pool, spa, or fountain.
10. Have fixture installed in accordance with all applicable installation codes and standards by a person familiar with the construction and operation of the fixture and the hazards involved.
11. Use only cable rated for low voltage. Cable buried more than 6" must be suitable for direct burial. Direct burial cable may be ordered from Vision3 Lighting.



#### Mount Fixture on Canopy:

1. Caution! Luminaire will be hot if lamp is on.
  2. Feed leads from the Luminaire through the hole in the MO4 Machined Rectangular Canopy.
  3. If the MO4 Machined Rectangular Canopy has the threaded mounting hole option, thread the Luminaire into the canopy, otherwise, push the Luminaire through the hole in the canopy.
  4. Feed the Luminaire leads through the Lock Nut (supplied separately or by others).
  5. Tighten the Lock Nut to secure the Luminaire to the canopy.
- Note: We recommend using the MO4 Machined Rectangular Canopy with the threaded mounting hole option in conjunction with a Lock Nut to ensure that the Luminaire is firmly secured.

#### Mount Canopy on Outlet Box:

1. Install Outlet Box, conduit, and wiring per applicable codes.
2. If using a Gasket (not supplied), feed the Luminaire leads through the Gasket.
3. Connect the Luminaire leads to the power supply wires using the appropriate connectors (not supplied), per applicable codes. Note: Be sure the Luminaire is rated for the power being supplied by the power supply leads.
4. Attach the MO4 Machined Rectangular Canopy and Gasket (if used) to the Outlet Box using the appropriate Mounting Screws (not supplied). Note: If using a Gasket, ensure that the Gasket is not pinched and fully covers the flat sealing surface of the outlet box.